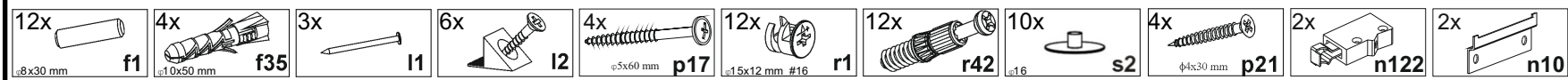
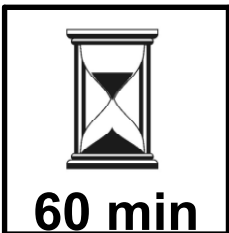
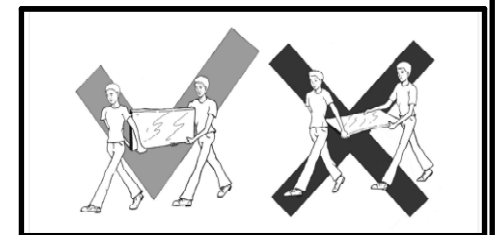
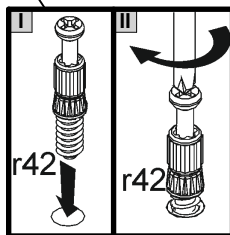
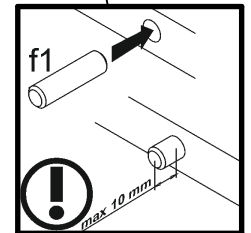
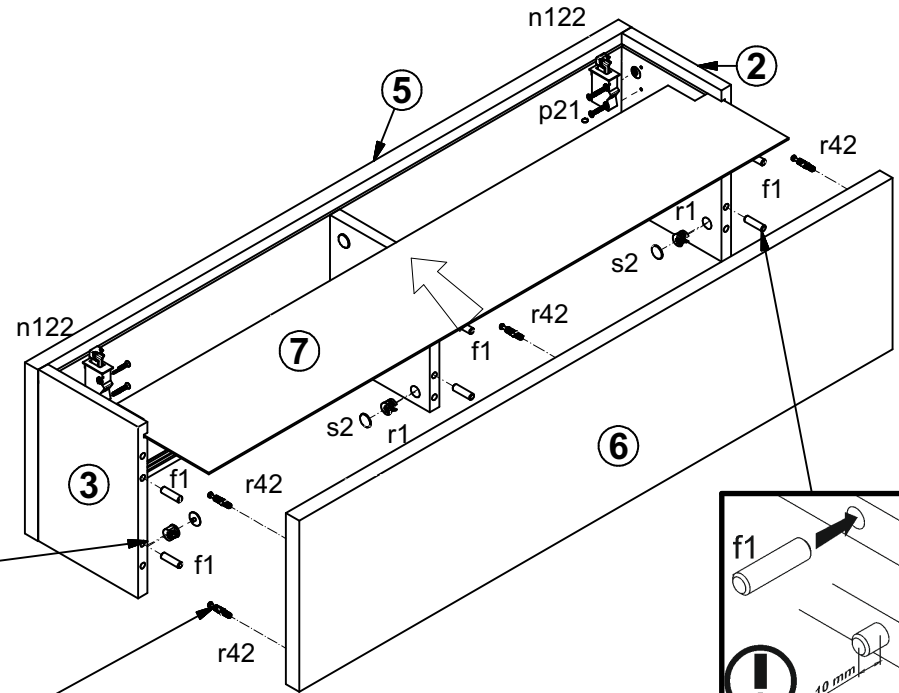
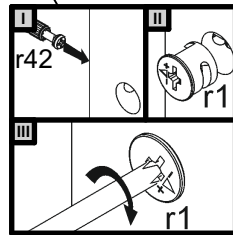
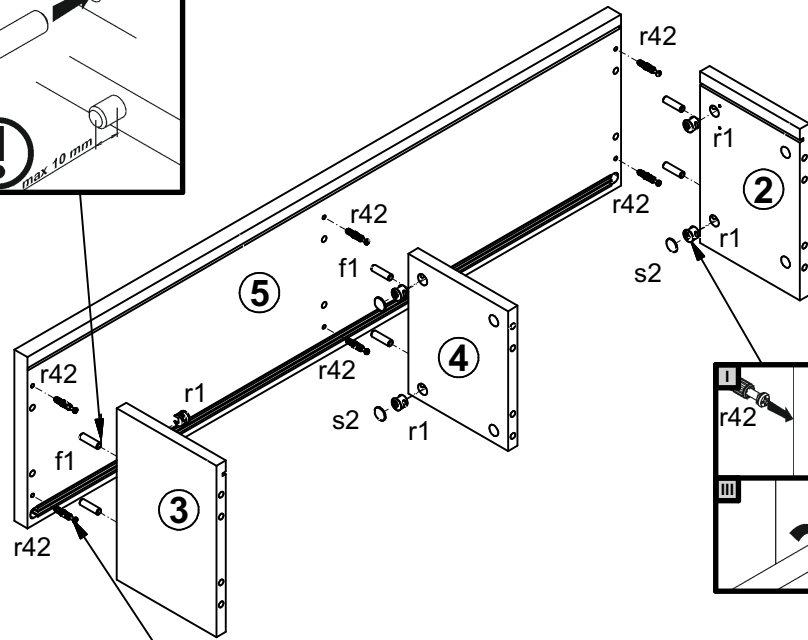
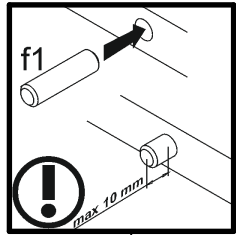


A	B	C (mm)		D
1	S183-007	492	173	1/1
2	S183-1109	168	250	1/1
3	S183-1110	168	250	1/1
4	S183-1111	168	204	1/1
5	S183-2206	1000	250	1/1
6	S183-2207	1000	250	1/1
7	S183-9907	977	178	1/1

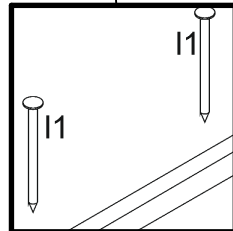
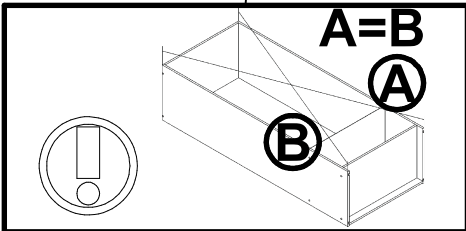
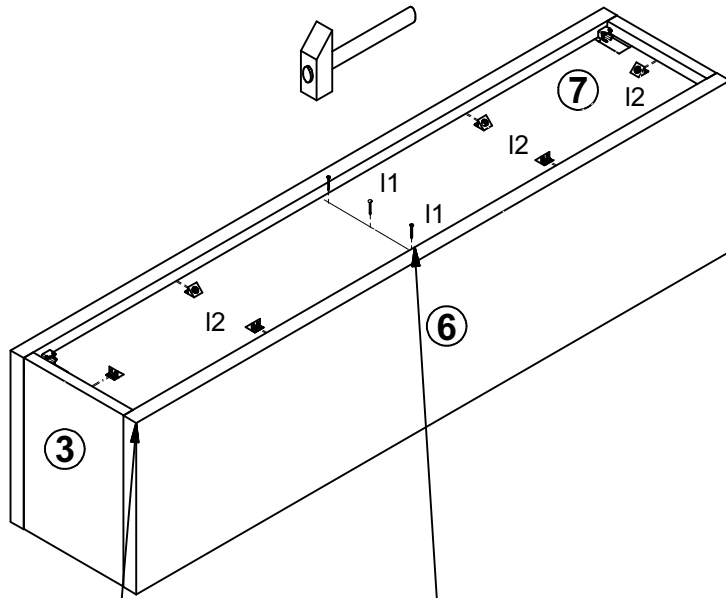


1 

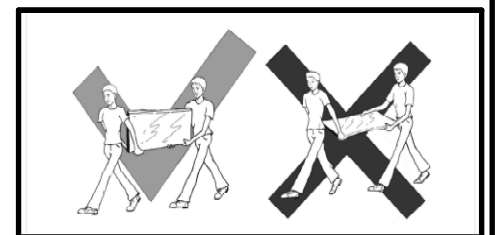
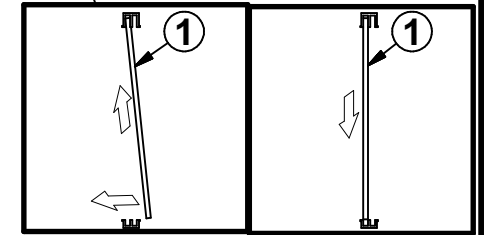
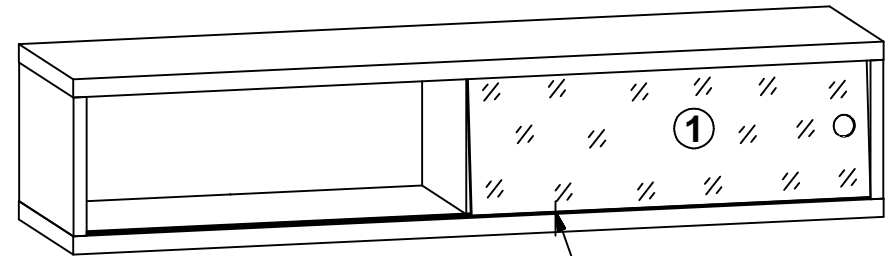
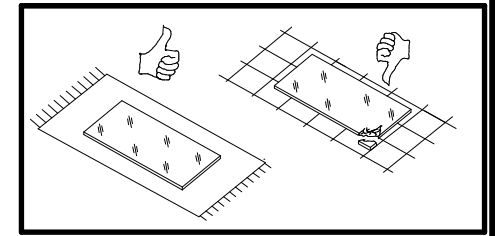




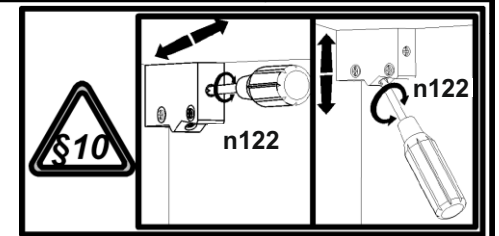
4



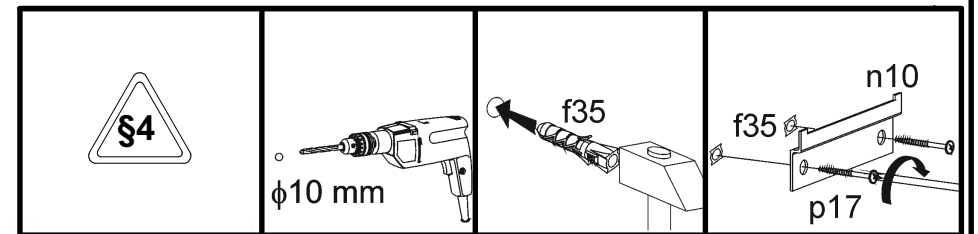
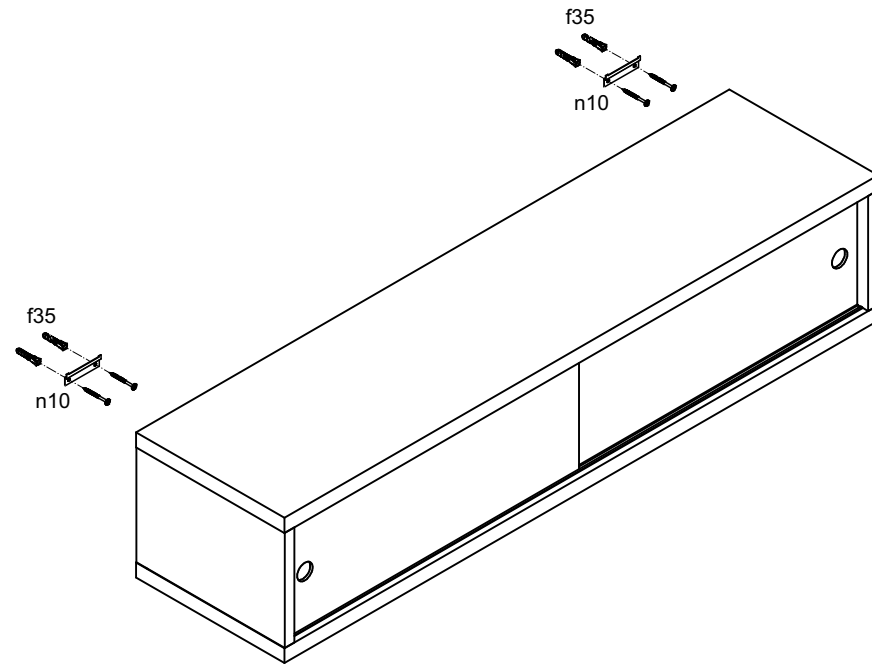
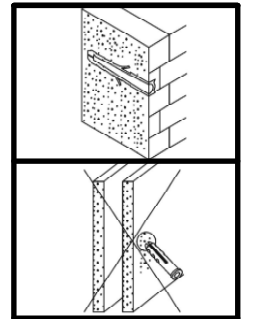
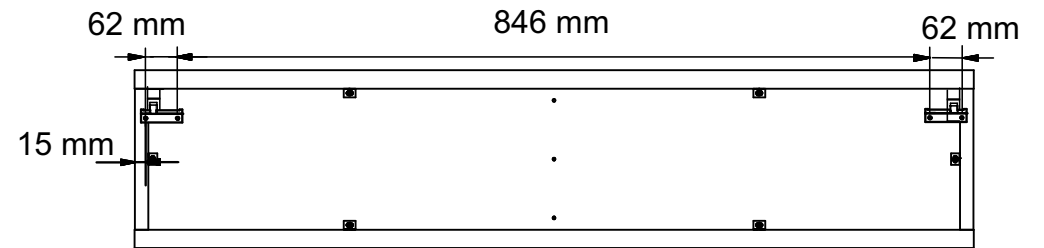
5



8



9



11

